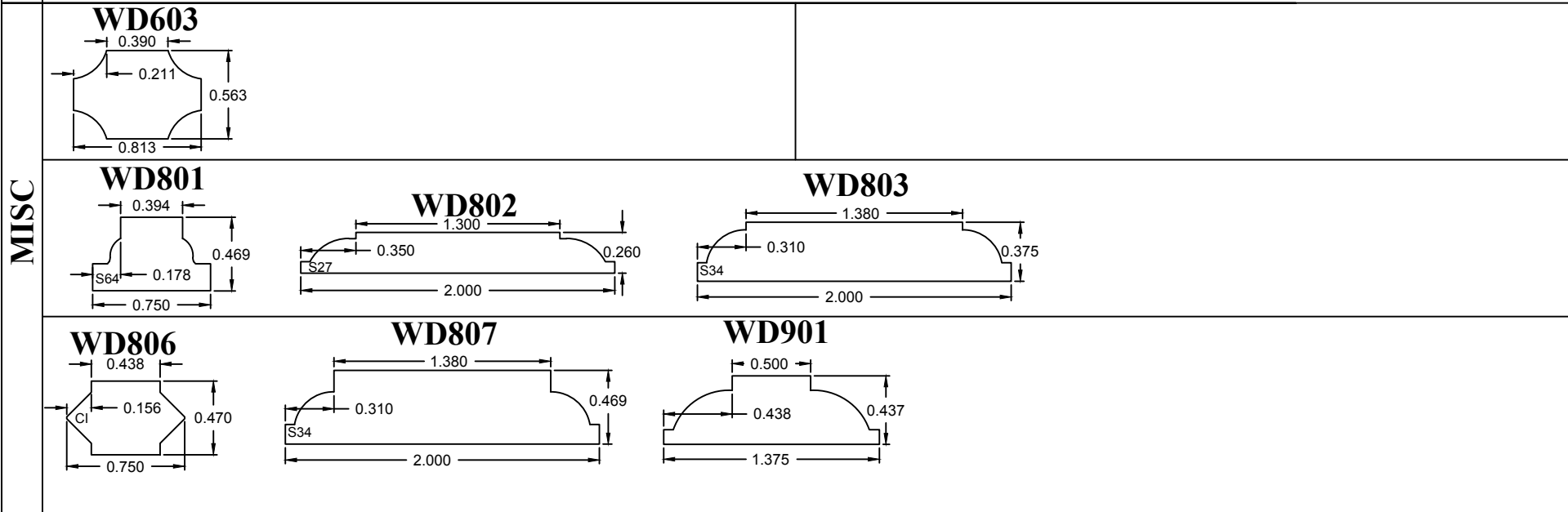
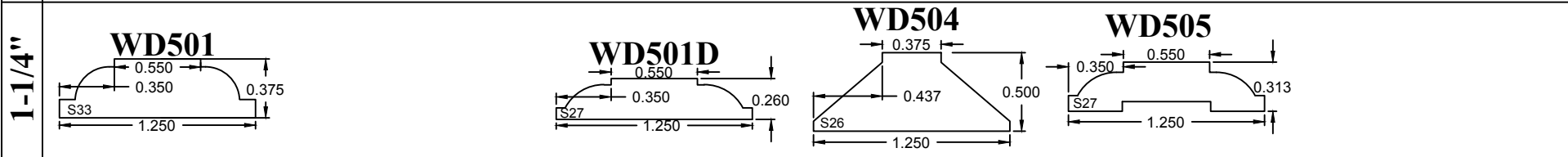
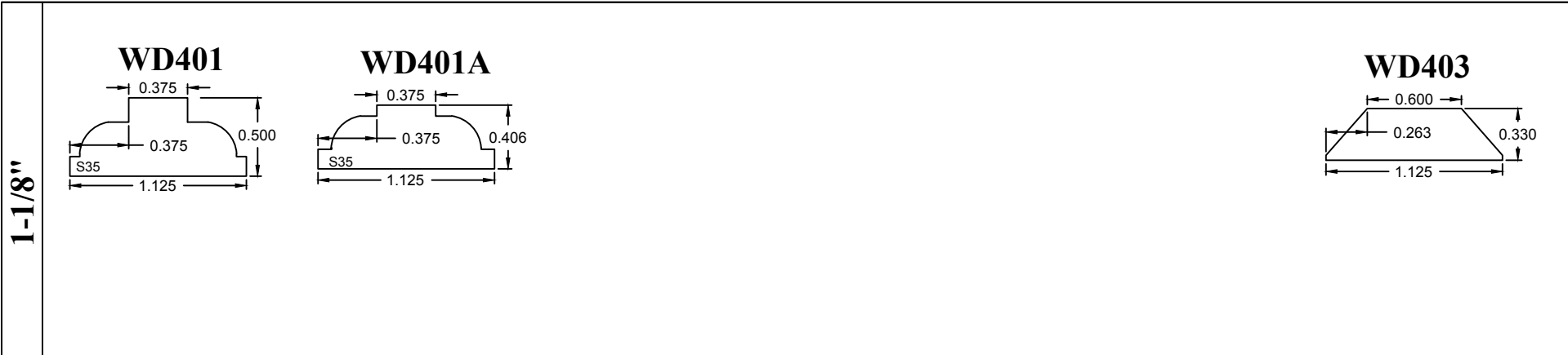


	PROPRIETARY NOTICE	16	09/08/09	WW	WD301A, WD201 now inactive	DESCRIPTION: WD INDEX 100-300 WOOD BAR GRILLE FILE: F:\CADDATA\Profiles\WD\WD INDEX.dwg
	THE INFORMATION CONTAINED IN THIS DRAWING IS THE SOLE PROPERTY OF B&B ENGINEERING CORP. ANY REPRODUCTION IN PART OR AS A WHOLE WITHOUT THE WRITTEN PERMISSION OF B&B ENGINEERING CORP. IS PROHIBITED.	15	02/18/09	WW	ADDED WD211, WD201 NOW FUTURE INACTIVE	
		14	12/05/08	WW	CHANGED WD301A TO FUTURE INACTIVE	
		13	10/27/08	WW	CHANGED WD203 TO INACTIVE	
		REV	DATE	BY	DESCRIPTION	
610 JENSEN DR. MEDFORD, WI 54451 PH: 715-748-2288 FAX: 715-748-2881					SCALE: 1:1 TOL: ± 0.005 BY: JB DATE: 5/2/06	



	PROPRIETARY NOTICE	7	02/18/09	WW	ADDED WD807	DESCRIPTION: WD INDEX 400-900 WOOD BAR GRILLE
	THE INFORMATION CONTAINED IN THIS DRAWING IS THE SOLE PROPERTY OF B&B ENGINEERING CORP. ANY REPRODUCTION IN PART OR AS A WHOLE WITHOUT THE WRITTEN PERMISSION OF B&B ENGINEERING CORP. IS PROHIBITED.	6	01/15/08	WW	CHANGED WD805 TO FUTURE INACTIVE ADDED WD806	
		5	11/10/06	WW	CHANGED MULTIPLE PROFILES TO INACTIVE	FILE: F:\CADDATA\Profiles\WD\WD INDEX.dwg
		4	11/10/06	WW	ADDED WD505	SCALE: 1:1
		REV	DATE	BY	DESCRIPTION	TOL: ± 0.005
610 JENSEN DR. MEDFORD, WI 54451 PH: 715-748-2288 FAX: 715-748-2881						BY: JB DATE: 5/2/06