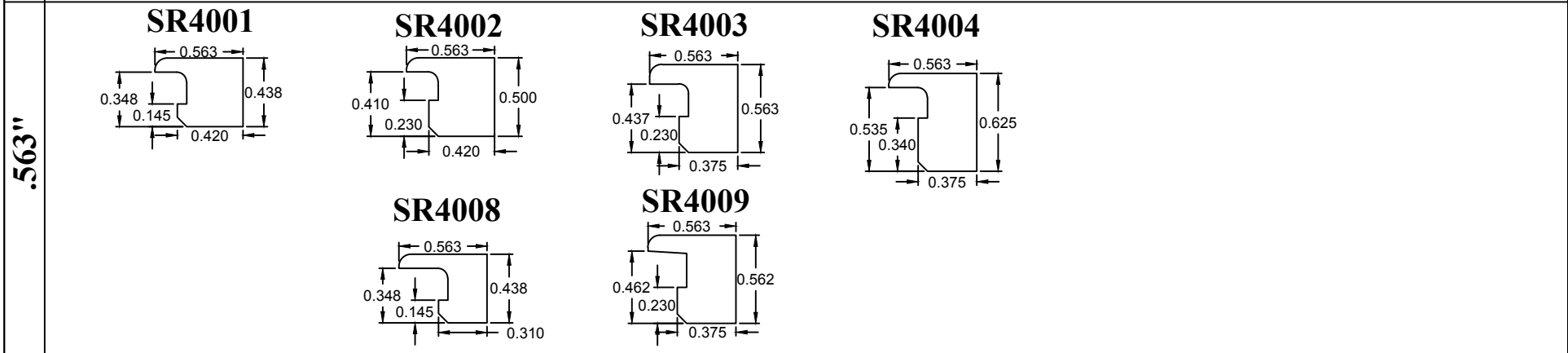


DIM	CLIP
.145	1203
.230	1212
.235	1212
.245	1212
.340	1202
.340 SR-5002 SERIES	
LINCOLN WITH SR-4002	1213

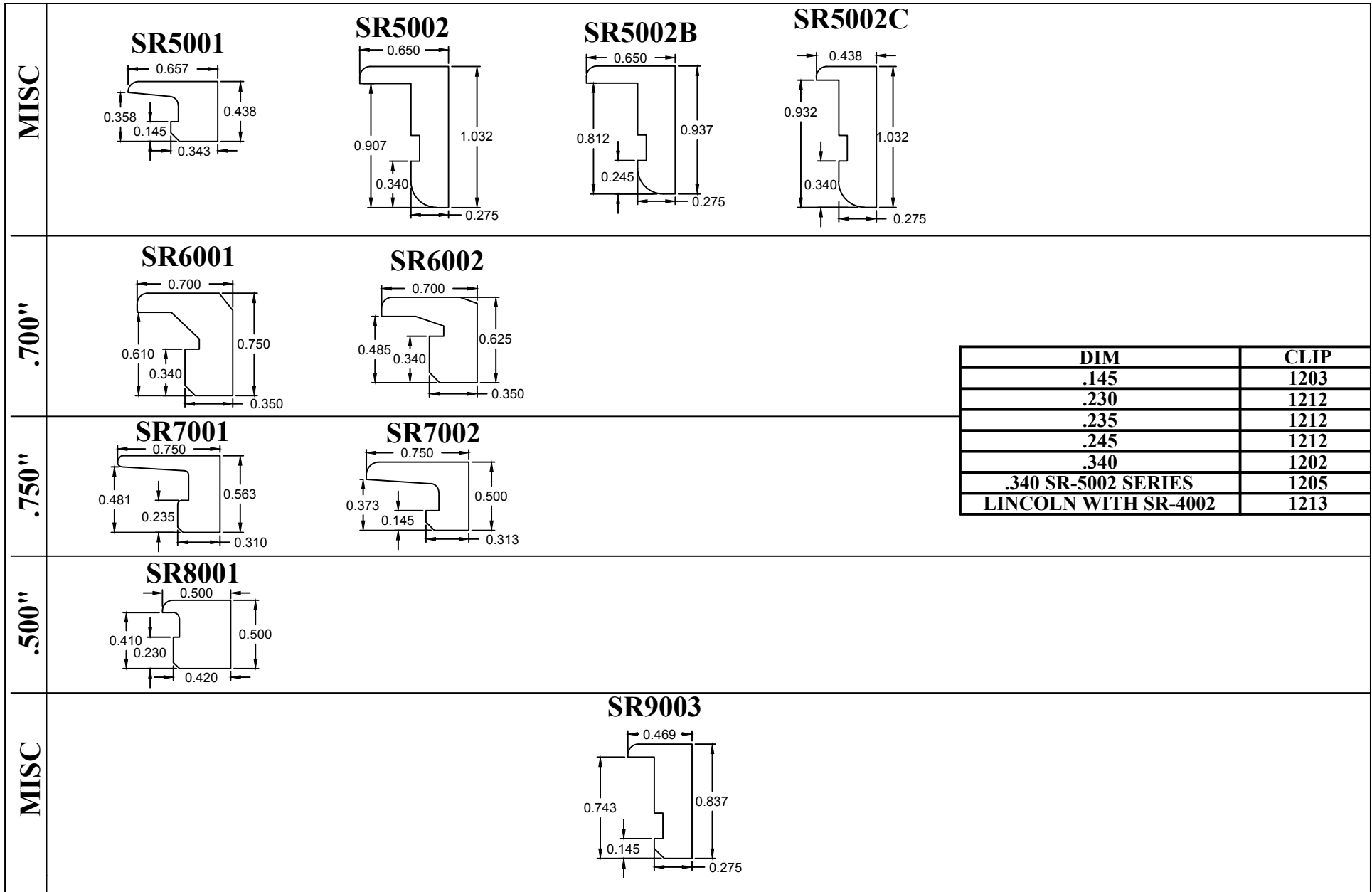


610 JENSEN DR.
MEDFORD, WI 54451

PH: 715-748-2288
FAX: 715-748-2881

PROPRIETARY NOTICE				
THE INFORMATION CONTAINED IN THIS DRAWING IS THE SOLE PROPERTY OF B&B ENGINEERING CORP. ANY REPRODUCTION IN PART OR AS A WHOLE WITHOUT THE WRITTEN PERMISSION OF B&B ENGINEERING CORP. IS PROHIBITED.				
1	6/22/06	JB	ADDED CLIP TABLE	
REV	DATE	BY	DESCRIPTION	

DESCRIPTION:			
SR INDEX 1000-4000			
WOOD GRILLE SURROUND			
FILE: F:\CADDATA\Profiles\SR\SR INDEX.dwg			
SCALE: 1:1	TOL: ± 0.005	BY: JB	DATE: 6/6/06



DIM	CLIP
.145	1203
.230	1212
.235	1212
.245	1212
.340	1202
.340 SR-5002 SERIES	1205
LINCOLN WITH SR-4002	1213

	PROPRIETARY NOTICE	4	09/16/09	WW	SR9002, SR9004 NOW INACTIVE	DESCRIPTION: SR INDEX 5000-9000 WOOD GRILLE SURROUND	
	<small>THE INFORMATION CONTAINED IN THIS DRAWING IS THE SOLE PROPERTY OF B&B ENGINEERING CORP. ANY REPRODUCTION IN PART OR AS A WHOLE WITHOUT THE WRITTEN PERMISSION OF B&B ENGINEERING CORP. IS PROHIBITED.</small>	3	11/10/06	WW	ADDED SR9003		
		2	11/10/06	WW	MADE SR5003,SR9001,SR9004 INACTIVE		
		1	6/22/06	JB	ADDED CLIP TABLE	FILE: F:\CADDATA\Profiles\SR\SR INDEX.dwg	
		REV	DATE	BY	DESCRIPTION	SCALE: 1:1	TOL: ± 0.005

610 JENSEN DR. PH: 715-748-2288
MEDFORD, WI 54451 FAX: 715-748-2881